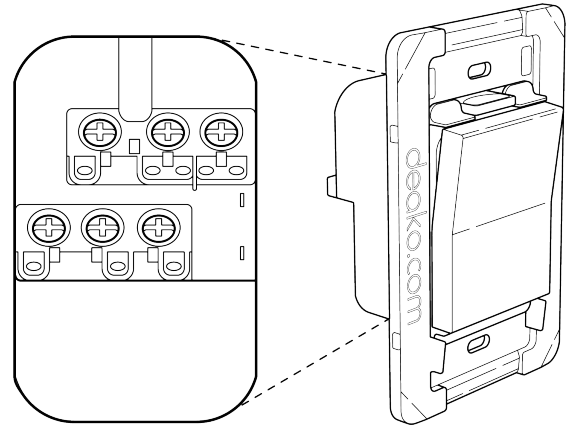


Deako Universal Backplate with Simple Rocker Switches



Deako Backplates for Deako Switches

Deako's Universal Backplate is natively compatible with copper-clad aluminum and traditional copper wiring up to 10 AWG. Additionally, the Universal Backplate supports all Deako switch modules, enabling anyone to easily upgrade their home lighting.

Installation is quick and easy with the use of screw terminals on the rear of the backplate and is compatible with all NEC compliant light circuit wiring such as single-pole, 3-way, and 4-way configurations.

Features

- UL Listed for both traditional copper and copper clad aluminum wiring between 10 and 14 AWG
- Offered in 1, 2, 3 and 4 gang options
- Compatible with all Deako Simple and Smart lighting controls
- Compatible with all current Deako Faceplates
- Included mounting hardware

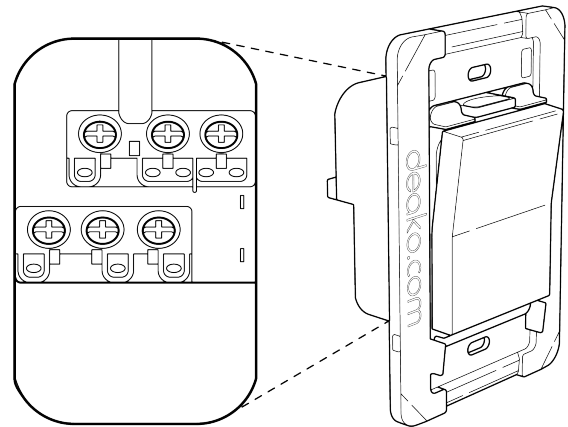
Specifications

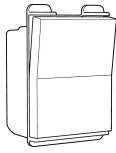
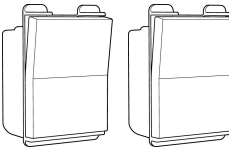
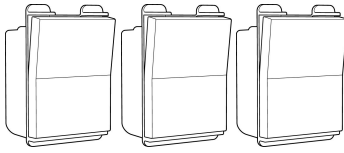
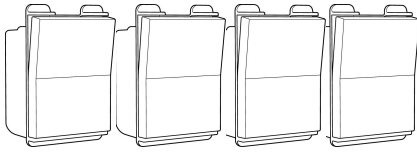
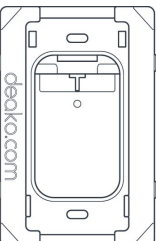
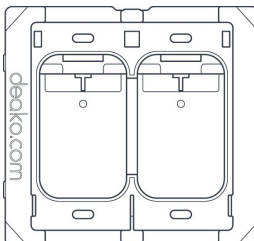
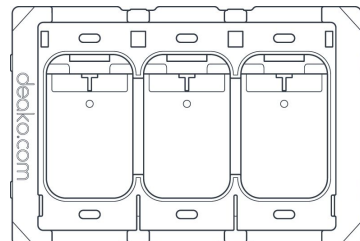
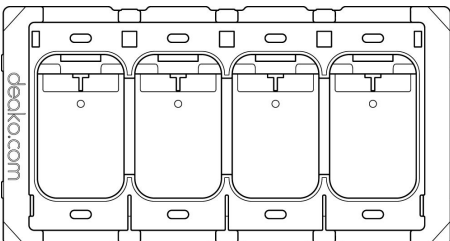
For Deako Universal Backplates

	1-Gang Universal Backplate with Single Pole Simple Rocker Switch	2-Gang Universal Backplate with Single Pole Simple Rocker Switches	3-Gang Universal Backplate with Single Pole Simple Rocker Switches	4-Gang Universal Backplate with Single Pole Simple Rocker Switches
SKU	DS-BS1U-WHNL-UCX	DS-BS2U-WHNL-UCX	DS-BS3U-WHNL-UCX	DS-BS4U-WHNL-UCX
Backplate Dimensions (H x W x D)	4.45" x 2.91" x 2.44"	4.45" x 4.72" x 2.44"	4.45" x 6.55" x 2.44"	4.45" x 8.35" x 2.44"
Backplate Weight	2.8 oz	4.9 oz	7.0 oz	8.5 oz
Case Quantity	50	20	20	10
Min. j-box Interior (W x D)*	2.9" x 1.8"	4.7" x 1.7"	6.5" x 1.7"	8.3" x 1.7"
Wire Strip Length	0.5"			
Max. Screw Terminal Torque	12 in-lb			
Faceplate Compatibility / SKU	1-Gang Faceplate DS-FP1Y-WHWH-UCX	2-Gang Faceplate DS-FP2Y-WHWH-UCX	3-Gang Faceplate DS-FP3Y-WHWH-UCX	4-Gang Faceplate DS-FP4Y-WHWH-UCX
Compatibility	Single pole, 3-way, 4-way and dead-end circuits			
	Deako Faceplate DS-FP series			
	Deako Switches DS-SS, DS-CS, & DS-CD series			
	All standard NEC compliant junction boxes (<i>Deako recommends 2.5" depth for ease of installation</i>)			
Regulatory Approvals	Meets the UL 514D & UL20 specification			
Power	120V AC 15A			
Environment	Indoor use only			
Operating Temperature Range	0°C to 40°C (32°F to 104°F)			
Warranty	1-year			
Vertical Markets	Residential			
	Multiple dwellings			
	Hospitality / lodging			

Available configurations

For Deako Universal Backplates



1-Gang with Simple Single Pole Rocker Switch	2-Gang with Simple Single Pole Rocker Switches	3-Gang with Simple Single Pole Rocker Switches	4-Gang with Simple Single Pole Rocker Switches
			
			

Date	Notes
Job location	
Approved by	
Job no. / type	