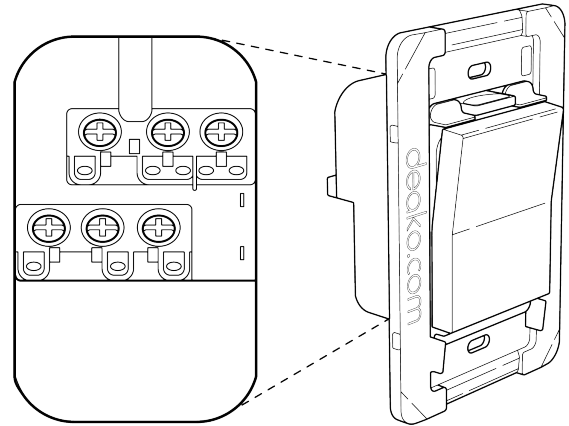


# Deako Universal Backplate with Simple Rocker Switches



Deako Backplates for Deako Switches

Deako's Universal Backplate is natively compatible with copper-clad aluminum and traditional copper wiring up to 10 AWG. Additionally, the Universal Backplate supports all Deako switch modules, enabling anyone to easily upgrade their home lighting.

Installation is quick and easy with the use of screw terminals on the rear of the backplate and is compatible with all NEC compliant light circuit wiring such as single-pole, 3-way, and 4-way configurations.

## Features

- UL Listed for both traditional copper and copper clad aluminum wiring between 10 and 14 AWG
- Offered in 1, 2, 3 and 4 gang options
- Compatible with all Deako Simple and Smart lighting controls
- Compatible with all current Deako Faceplates
- Included mounting hardware

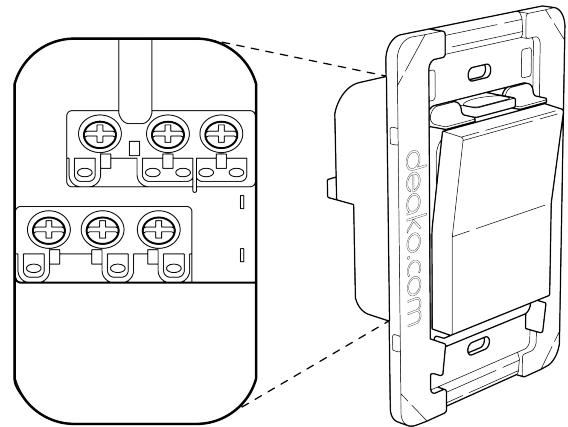
# Specifications

For Deako Universal Backplates

|                                  | 1-Gang Universal Backplate with Single Pole Simple Rocker Switch  | 2-Gang Universal Backplate with Single Pole Simple Rocker Switches | 3-Gang Universal Backplate with Single Pole Simple Rocker Switches | 4-Gang Universal Backplate with Single Pole Simple Rocker Switches |
|----------------------------------|---|--|--|--|
| SKU                              | DS-BS1U-WHNL-UCX  | DS-BS2U-WHNL-UCX   | DS-BS3U-WHNL-UCX   | DS-BS4U-WHNL-UCX   |
| Backplate Dimensions (H x W x D) | 4.45" x 2.91" x 2.44"   | 4.45" x 4.72" x 2.44"  | 4.45" x 6.55" x 2.44"  | 4.45" x 8.35" x 2.44"  |
| Backplate Weight                 | 2.8 oz  | 4.9 oz   | 7.0 oz   | 8.5 oz   |
| Case Quantity                    | 50  | 20   | 20   | 10   |
| Min. j-box Interior (W x D)*     | 2.9" x 1.8"   | 4.7" x 1.7"  | 6.5" x 1.7"  | 8.3" x 1.7"  |
| Wire Strip Length                | 0.5"  |  |  |  |
| Max. Screw Terminal Torque       | 12 in-lb  |  |  |  |
| Faceplate Compatibility / SKU    | 1-Gang Faceplate  | 2-Gang Faceplate   | 3-Gang Faceplate   | 4-Gang Faceplate   |
|                                  | DS-FP1Y-WHWH-UCX  | DS-FP2Y-WHWH-UCX   | DS-FP3Y-WHWH-UCX   | DS-FP4Y-WHWH-UCX   |
| Compatibility                    | Single pole, 3-way, 4-way and dead-end circuits   |  |  |  |
|                                  | Deako Faceplate DS-FP series  |  |  |  |
|                                  | Deako Switches DS-SS, DS-CS, & DS-CD series   |  |  |  |
|                                  | All standard NEC compliant junction boxes ( <i>Deako recommends 2.5" depth for ease of installation</i> ) |  |  |  |
| Regulatory Approvals             | Meets the UL 514D & UL20 specification  |  |  |  |
| Power                            | 120V AC 15A   |  |  |  |
| Environment                      | Indoor use only   |  |  |  |
| Operating Temperature Range      | 0°C to 40°C (32°F to 104°F)   |  |  |  |
| Warranty                         | 1-year  |  |  |  |
| Vertical Markets                 | Residential   |  |  |  |
|                                  | Multiple dwellings  |  |  |  |
|                                  | Hospitality / lodging   |  |  |  |

# Available configurations

For Deako Universal Backplates



| 1-Gang with Simple Single Pole Rocker Switch | 2-Gang with Simple Single Pole Rocker Switches | 3-Gang with Simple Single Pole Rocker Switches | 4-Gang with Simple Single Pole Rocker Switches |
|--|--|--|--|
|  |  |  |  |
|  |  |  |  |

| Date           | Notes |
|----------------|-------|
| Job location   |       |
| Approved by    |       |
| Job no. / type |       |